



# Cube

## BC 05 - no apron

inch 72x40x24 mm 1829x1016x610

### interior dimensions

rim: inch 58x26 mm 1473x660  
 base: inch 48x25 mm 1219x635  
 height: inch 20 mm 508

### capacity to overflow

gal (us) - 82 liters- 310

### weight

lb - 220 kg - 100

### installation

drop-in bathtub (BC 0501)  
 1 wall, 2 walls or 3 walls

### accessory

oak bridge wenge shade

### material

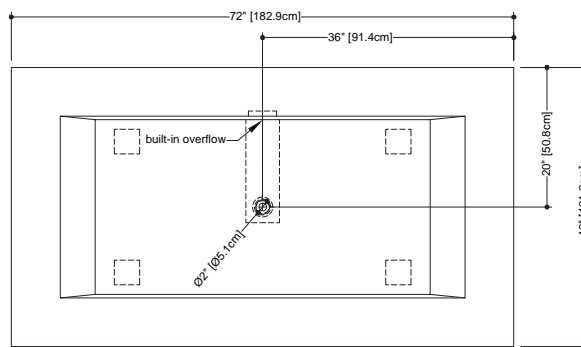
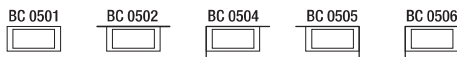
WETMAR BIO™, True High Gloss™  
 or matte finish

### color

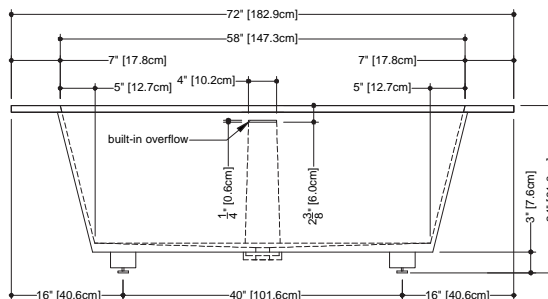
white

### codes/standards applicable

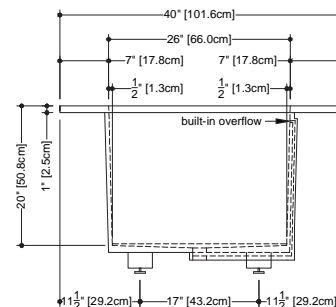
IAPMO-ANSI Z124.1  
 IAPMO-ANSI Z124.3  
 CSA B 45.0 - CSA B45.4



plan view



front view



side view



### WETSTYLE Plug & Bathe™ overflow and drain connection system includes:

- Soft-touch pop-up drain, for built-in overflow. Fits both 1-1/2" ABS drain waste and 1-1/2" tubular brass
- 1-1/2" ABS Direct vertical drain waste fitting (copper/brass option also available)
- 1-1/2" ABS 90° Elbow drain waste fitting (copper/brass option also available)

WETSTYLE cannot be held responsible for any technical errors and reserves the right to make revisions without notice.

Approximate measurement.  
 The manufacturer accept 1/4" (6.35mm) variance.

www.WETSTYLE.CA - Montreal - Canada  
 Tel. 450.536.9000 - 1 888.536.9001 - Fax. 450.536.0202





# Cube

**BC 05 - no apron**

inch 72x40x24 mm 1829x1016x610

■ **overflow and drain connection**  
WETSTYLE Plug & Bathe™ system  
(ABS or copper/brass)

■ **overflow**  
slot design  
polished chrome or brushed nickel

■ **drain**  
soft toe touch  
polished chrome or brushed nickel

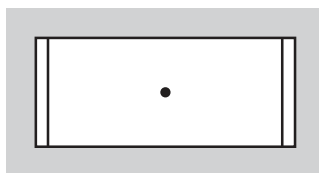
■ **waste and overflow kit**  
included

■ **faucet area recommended**  
bath deck  
or floor-mounted

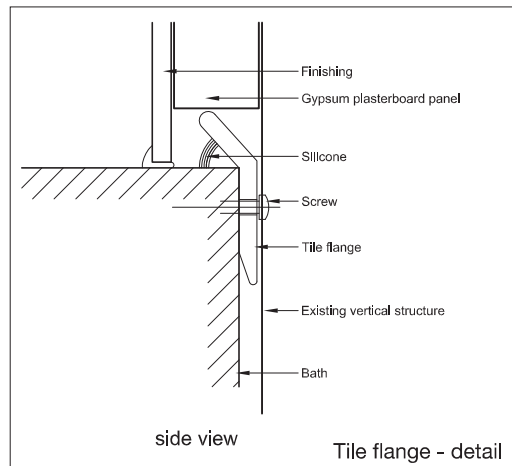
■ **trap access**  
white access panel

wide-deck bathtub;  
wall shower installation  
is not recommended

\* Due to multiple possibilities,  
faucet holes must be drilled by the plumber.



■ Faucet installation zone



side view

Tile flange - detail

**Bathtub installation supplies**

A tile flange will be supplied to comply with the requested position. Installed at the factory to prevent water leakage, this must be placed directly on the partition framing prior to the installation of drywall.

WETSTYLE cannot be held responsible for any technical errors and reserves the right to make revisions without notice.

Approximate measurement.  
The manufacturer accept 1/4" (6.35mm) variance.

www.WETSTYLE.CA - Montreal - Canada  
Tel. 450.536.9000 - 1 888.536.9001 - Fax. 450.536.0202

